



---

**Fort HealthCare - Fort Memorial Hospital - North Lot Exterior Signage / JP Cullen**

611 Sherman Ave / Fort Atkinson, WI 53538

Drawing Package Title: Fort Health Care - Fort Memorial Signage North Lot 2 (2)

Date: 6-23-23



SIGNIS

4085 North 128th Street  
Brookfield, WI 53005  
p. 262-781-1500  
[www.LembergElectric.com](http://www.LembergElectric.com)

CONCEPTUAL DRAWING

Project Scope: Lemberg to Provide New Signage for New Construction Parking Lot.  
Lemberg to Coordinate New Footings / Electrical Requirements



Reference For New Sign in New Location  
**#S4: Sign Type A.1 - Medium Directional Monument**



Reference For New Sign in New Location  
**#S5: Sign Type B - Large Directional Monument**



Reference For New Sign in New Location  
**#S6: Sign Type D - Post & Panel Sign**



Reference For New Sign in New Location  
**#S7: Sign Type C - Small Directional Monument**



4085 North 128th Street  
Brookfield, WI 53005  
p. 262-781-1500  
www.LembergElectric.com

Client: Fort HealthCare - Fort Memorial Hospital / JP Cullen

Location: 611 Sherman Ave

City: Fort Atkinson, WI 53538

Sales Representative: Brian Pritzkow

Project Manager: Reggie Peters

Designer: Eric Bailey

Scale: NTS

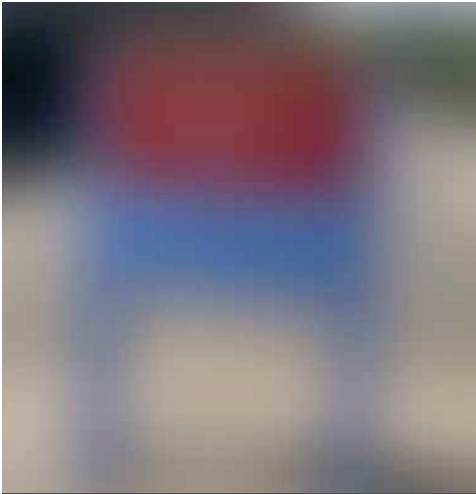
Paper Size: 11x17

Signature / Date:

Client / Location or Project / Sign Classification / Version# or Sheet / Revision# / Drawing Status  
FortHealthCareFMH\_SUR\_v02\_r00\_D

Date:  
5-11-23

Project Scope: Lemberg to Provide New Signage for New Construction Parking Lot.  
Lemberg to Coordinate New Footings / Electrical Requirements



No Reference For New Sign  
#S8: Sign Type C - Small Directional Monument



Reference For New Sign in New Location  
#S9: Sign Type E - Four Sided Directional Monument



**LEMBERG**  SIGNS

4085 North 128th Street  
Brookfield, WI 53005  
p. 262-781-1500  
www.LembergElectric.com

Client: Fort HealthCare - Fort Memorial Hospital / JP Cullen  
Location: 611 Sherman Ave  
City: Fort Atkinson, WI 53538

Sales Representative: Brian Pritzkow  
Project Manager: Reggie Peters  
Designer: Eric Bailey

Scale: NTS  
Paper Size: 11x17  
Signature / Date:

Client / Location or Project / Sign Classification / Version# or Sheet / Revision# / Drawing Status Date:  
FortHealthCareFMH\_SUR\_v03\_r00\_D 5-11-23

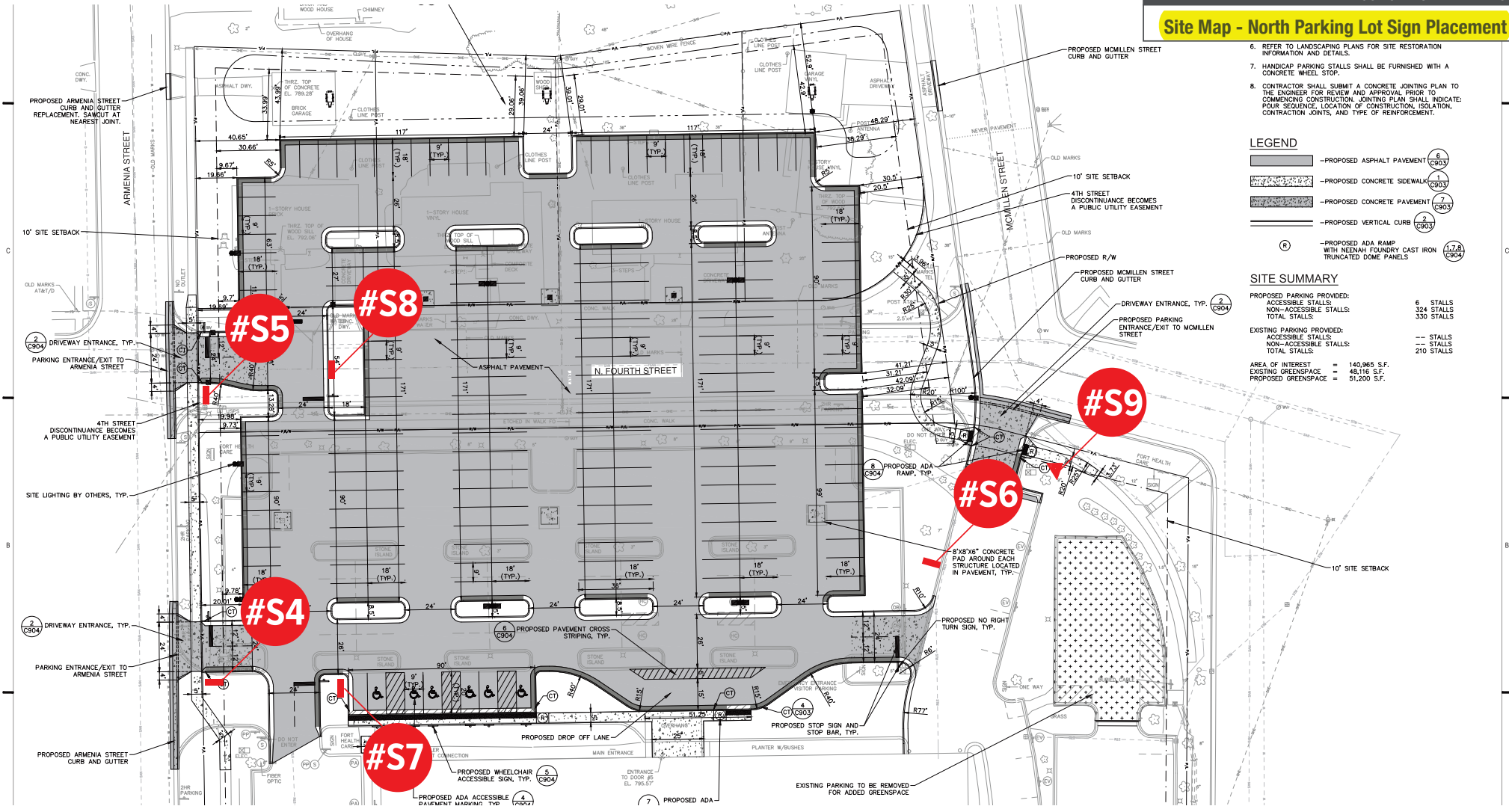
These designs are the exclusive property of Lemberg Electric Inc. Use or duplication without expressed written permission of Lemberg Electric Inc. is prohibited. Drawings are for conceptual use only. The document represents an approximation of materials & colors. Actual product colors may vary.



# Fort HealthCare - Fort Memorial Hospital - North Lot Exterior Signage / JP Cullen

CONCEPTUAL DRAWING

## Site Map - North Parking Lot Sign Placement



6. REFER TO LANDSCAPING PLANS FOR SITE RESTORATION INFORMATION AND DETAILS.
7. HANDICAP PARKING STALLS SHALL BE FURNISHED WITH A CONCRETE WHEEL STOP.
8. CONTRACTOR SHALL SUBMIT A CONCRETE JOINTING PLAN TO THE ENGINEER FOR REVIEW AND APPROVAL PRIOR TO COMMENCING CONSTRUCTION. JOINTING PLAN SHALL INDICATE FOUR ISSUES: LOCATION OF CONSTRUCTION, ISOLATION, CONTRACTION JOINTS, AND TYPE OF REINFORCEMENT.

**LEGEND**

	-PROPOSED ASPHALT PAVEMENT (6)	(6)
	-PROPOSED CONCRETE SIDEWALK (C903)	(C903)
	-PROPOSED CONCRETE PAVEMENT (7)	(C903)
	-PROPOSED VERTICAL CURB (2)	(C903)
	-PROPOSED ADA RAMP WITH NEENAH FOUNDRY CAST IRON TRUNCATED DOME PANELS (1.7.8)	(C904)

**SITE SUMMARY**

PROPOSED PARKING PROVIDED:	
ACCESSIBLE STALLS:	6 STALLS
NON-ACCESSIBLE STALLS:	324 STALLS
TOTAL STALLS:	330 STALLS
EXISTING PARKING PROVIDED:	
ACCESSIBLE STALLS:	-- STALLS
NON-ACCESSIBLE STALLS:	-- STALLS
TOTAL STALLS:	210 STALLS
AREA OF INTEREST:	= 140,965 S.F.
EXISTING GREENSPACE:	= 48,116 S.F.
PROPOSED GREENSPACE:	= 51,200 S.F.

**LEMBERG** **SNIGS**

4085 North 128th Street  
Brookfield, WI 53005  
p. 262-781-1500  
www.LembergElectric.com

Client: Fort HealthCare - Fort Memorial Hospital / JP Cullen  
Location: 611 Sherman Ave  
City: Fort Atkinson, WI 53538

Sales Representative: Brian Pritzkow  
Project Manager: Reggie Peters  
Designer: Eric Bailey

Scale: NTS  
Paper Size: 11x17  
Signature / Date:

Client / Location or Project / Sign Classification / Version# or Sheet / Revision# / Drawing Status Date:  
FortHealthCareFMH\_MAP(S)\_v01\_r00\_D 5-10-23

These designs are the exclusive property of Lemberg Electric Inc. Use or duplication without expressed written permission of Lemberg Electric Inc. is prohibited. Drawings are for conceptual use only. The document represents an approximation of materials & colors. Actual product colors may vary.

Fort HealthCare - Fort Memorial Hospital - North Lot Exterior Signage / JP Cullen

CONCEPTUAL DRAWING

#S4 Monument Sign - DF

One (1) Monument Sign to Replace Existing / 96 Sq' (48 Sq' per face)

Double Sided / Illuminated

Photocell for Automatic On & Off Lighting Control.

**(A) Header:**  
14" +/- deep extruded aluminum sign cabinet with routed 1/8" aluminum faces. Internal white LED illumination (standard white). Two color painted finish.

**(B) Reveals:**  
Fabricated aluminum reveals 2" height.

**(C) Directional Cabinet:**  
14" +/- deep extruded aluminum sign cabinet with 2" aluminum retainers, white polycarbonate faces decorated with 3M translucent vinyl graphics (standard colors). Internal white LED illumination (standard white).

**(D) Masonry Base:**  
Masonry to match building

**(E) Footing & Post:**  
Footing & Base  
Lemberg to coordinated setting 4" x 4" sq steel center post with footing contractor.

Sign to Saddle Mount Center Pole.

Colors

Paint

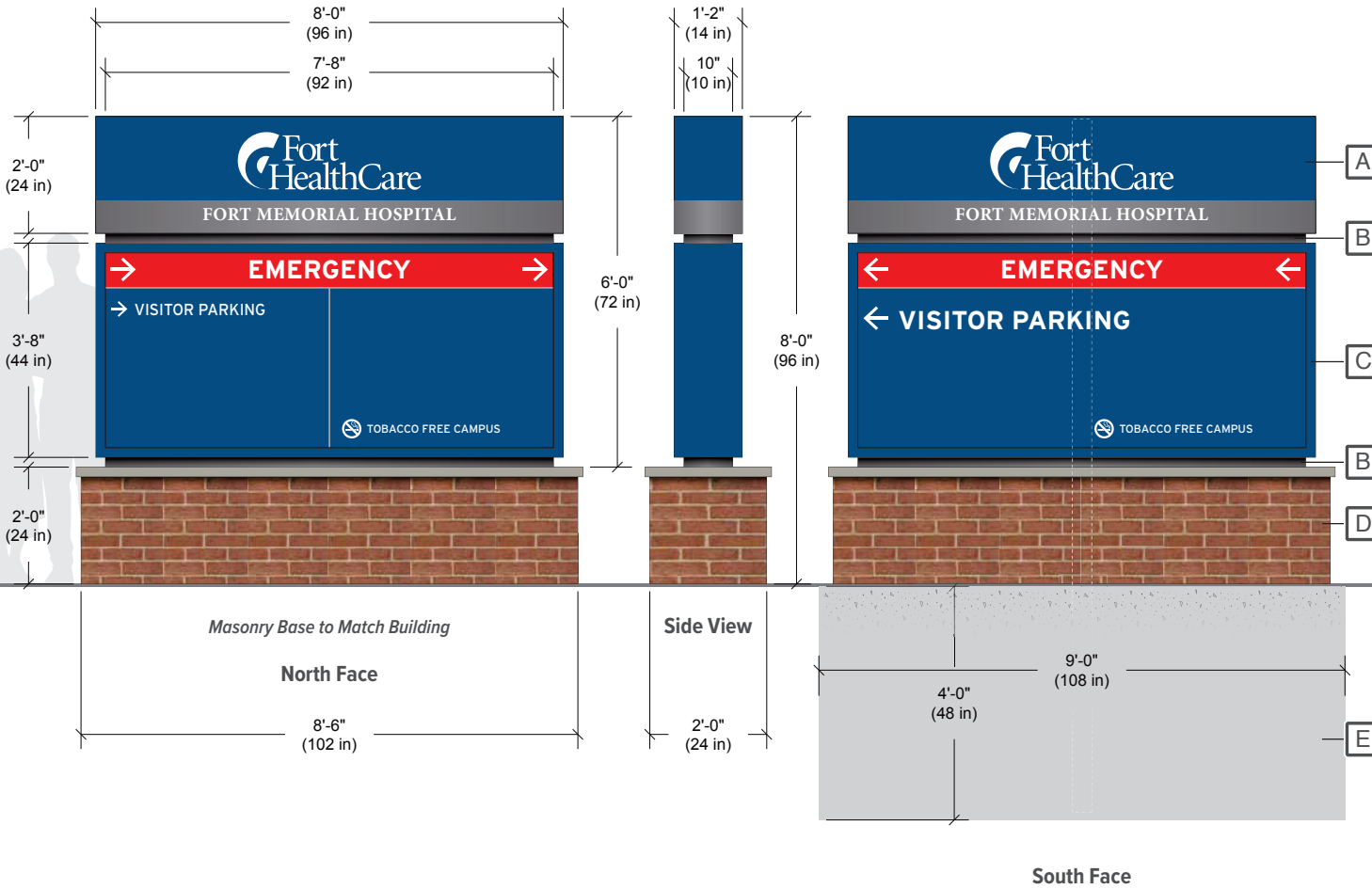
- (P-1) Paint to Match 3M European Blue (3630-137)✓
- (P-2) MP Umbra Grey Metallic (MP 28448) !

Vinyl Graphics

- (V-1) 3M European Blue (3630-137)✓
- (V-2) 3M Red (3630-33)✓
- (V-3) 3M Medium Gray (7725-31)✓

Specialized Products

- (S-1) White Polycarbonate✓



4085 North 128th Street  
Brookfield, WI 53005  
p. 262-781-1500  
www.LembergElectric.com

Client: Fort HealthCare - Fort Memorial Hospital / JP Cullen

Location: 611 Sherman Ave

City: Fort Atkinson, WI 53538

Sales Representative: Brian Pritzkow

Project Manager: Reggie Peters

Designer: Eric Bailey

Scale: 1/2"=1'

Paper Size: 11x17

Signature / Date:

Client / Location or Project / Sign Classification / Version# or Sheet / Revision# / Drawing Status Date:  
FortHealthCareFMH\_MON(S04)\_v01\_r00\_D 6-25-23

These designs are the exclusive property of Lemberg Electric Inc. Use or duplication without expressed written permission of Lemberg Electric Inc. is prohibited. Drawings are for conceptual use only. The document represents an approximation of materials & colors. Actual product colors may vary.

Fort HealthCare - Fort Memorial Hospital - North Lot Exterior Signage / JP Cullen

CONCEPTUAL DRAWING

#S5 Monument Sign - DF

One (1) Monument Sign to Replace Existing / 96 Sq' (48 Sq' per face)

Double Sided / Illuminated

Photocell for Automatic On & Off Lighting Control.

**(A) Header:**  
14" +/- deep extruded aluminum sign cabinet with routed 1/8" aluminum faces. Internal white LED illumination (standard white). Two color painted finish.

**(B) Reveals:**  
Fabricated aluminum reveals 2" height.

**(C) Directional Cabinet:**  
14" +/- deep extruded aluminum sign cabinet with 2" aluminum retainers, white polycarbonate faces decorated with 3M translucent vinyl graphics (standard colors). Internal white LED illumination (standard white).

**(D) Masonry Base:**  
Masonry to match building

**(E) Footing & Post:**  
Footing & Base  
Lemberg to coordinated setting 4" x 4" sq steel center post with footing contractor.

Sign to Saddle Mount Center Pole.

Colors

Paint

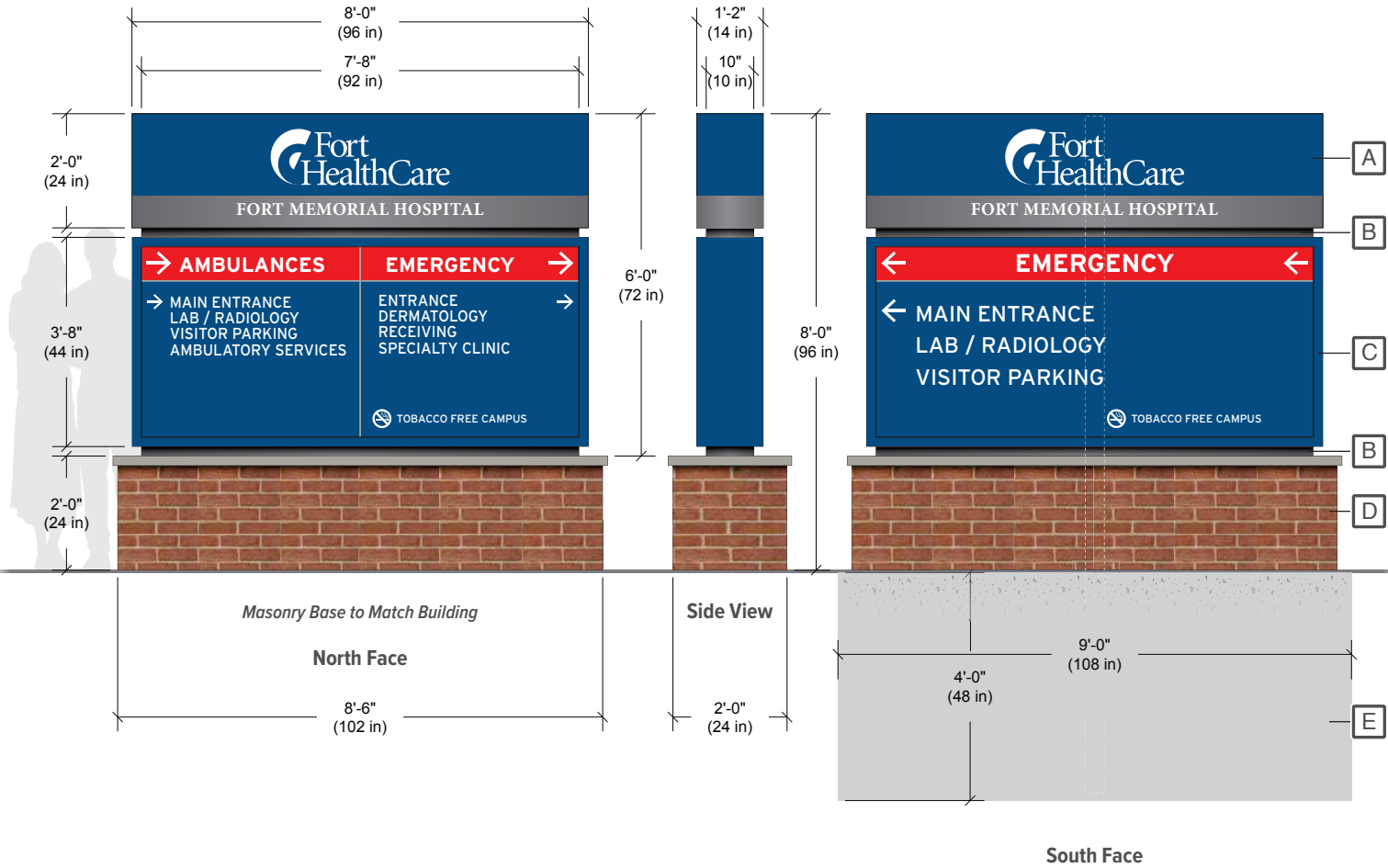
- (P-1) Paint to Match 3M European Blue (3630-137)✓
- (P-2) MP Umbra Grey Metallic (MP 28448) !

Vinyl Graphics

- (V-1) 3M European Blue (3630-137)✓
- (V-2) 3M Red (3630-33)✓
- (V-3) 3M Medium Gray (7725-31)✓

Specialized Products

- (S-1) White Polycarbonate✓



4085 North 128th Street  
Brookfield, WI 53005  
p. 262-781-1500  
www.LembergElectric.com

Client: Fort HealthCare - Fort Memorial Hospital / JP Cullen

Location: 611 Sherman Ave

City: Fort Atkinson, WI 53538

Sales Representative: Brian Pritzkow

Project Manager: Reggie Peters

Designer: Eric Bailey

Scale: 1/2"=1'

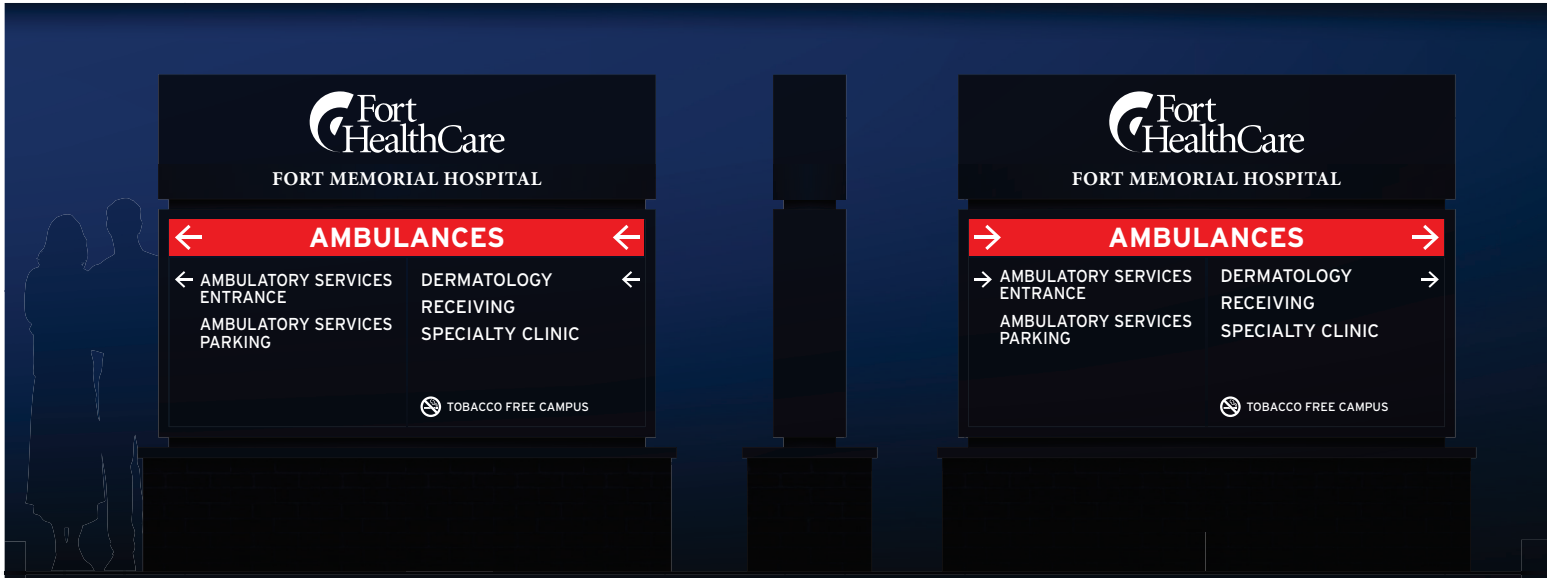
Paper Size: 11x17

Signature / Date:

Client / Location or Project / Sign Classification / Version# or Sheet / Revision# / Drawing Status  
FortHealthCareFMH\_MON(S05)\_v01\_r00\_D

Date:  
6-25-23

These designs are the exclusive property of Lemberg Electric Inc. Use or duplication without expressed written permission of Lemberg Electric Inc. is prohibited. Drawings are for conceptual use only. The document represents an approximation of materials & colors. Actual product colors may vary.



Illumination



4085 North 128th Street  
 Brookfield, WI 53005  
 p. 262-781-1500  
 www.LembergElectric.com

Client: Fort HealthCare - Fort Memorial Hospital / JP Cullen

Location: 611 Sherman Ave

City: Fort Atkinson, WI 53538

Sales Representative: Brian Pritzkow

Project Manager: Reggie Peters

Designer: Eric Bailey

Scale: 1/2"=1'

Paper Size: 11x17

Signature / Date:

Client / Location or Project / Sign Classification / Version# or Sheet / Revision# / Drawing Status Date:  
 FortHealthCareFMH\_MON(S01)NR\_v01\_r00\_D 6-23-23

These designs are the exclusive property of Lemberg Electric Inc. Use or duplication without expressed written permission of Lemberg Electric Inc. is prohibited. Drawings are for conceptual use only. The document represents an approximation of materials & colors. Actual product colors may vary.

Fort HealthCare - Fort Memorial Hospital - South Lot Exterior Signage / JP Cullen

CONCEPTUAL DRAWING

#S6 Post & Panel Sign - SF

One (1) Post and Panel Sign / 5 Sq'

Single Sided / Non-Illuminated

**(A) Panel:**  
3" deep fabricated aluminum panels, two & or three color painted finish & 3M white reflective vinyl graphics (wayfinding copy). Painted P-1 / P-2 / (P-3 When Ambulance Band is Used)

**(B) Posts:**  
2" x 3" aluminum posts. Painted P-2

**(C) Reveals:**  
1" x 2" aluminum reveals. Painted P-2

**(D) Mounting Plates:**  
Aluminum plate, mounting plates with specified hole pattern welded to post. Painted P-2

**Installation:**  
Sign to have two 12" dia. x 4' deep concrete footings / anchored to footings with large diameter Tapcons.

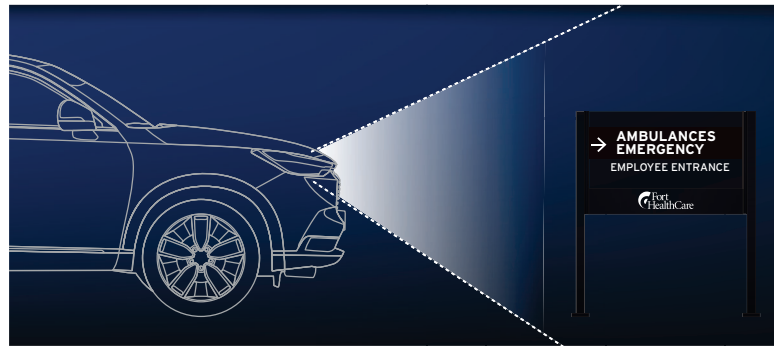
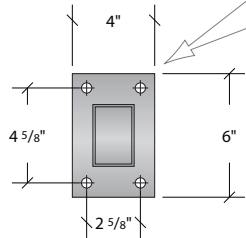
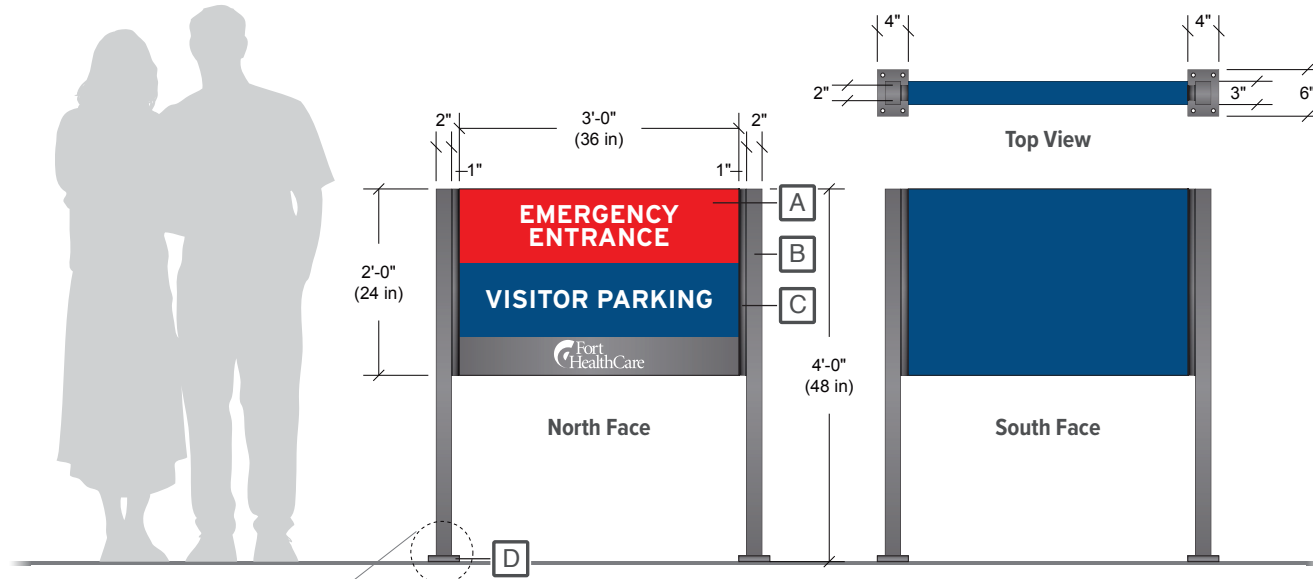
Colors

Paint

- (P-1) Paint to Match 3M European Blue ✓
- (P-2) MP Umbra Grey Metallic (MP 28448) !
- (P-3) Match 3M Red 3630-33 ✓

Vinyl Graphics

- (V-4) White Reflective Vinyl Graphics !



Vinyl Graphics to Be Reflective



4085 North 128th Street  
Brookfield, WI 53005  
p. 262-781-1500  
www.LembergElectric.com

Client: Fort HealthCare - Fort Memorial Hospital / JP Cullen

Location: 611 Sherman Ave

City: Fort Atkinson, WI 53538

Sales Representative: Brian Pritzkow

Project Manager: Reggie Peters

Designer: Eric Bailey

Scale: 3/4"=1'

Paper Size: 11x17

Signature / Date:

Client / Location or Project / Sign Classification / Version# or Sheet / Revision# / Drawing Status  
FortHealthCareFMH\_PP(S06)\_v01\_r00\_D

Date:  
6-23-23

These designs are the exclusive property of Lemberg Electric Inc. Use or duplication without expressed written permission of Lemberg Electric Inc. is prohibited. Drawings are for conceptual use only. The document represents an approximation of materials & colors. Actual product colors may vary.



Fort HealthCare - Fort Memorial Hospital - South Lot Exterior Signage / JP Cullen

CONCEPTUAL DRAWING

#S7 Post & Panel Sign - SF

One (1) Post and Panel Sign / 5 Sq'

Single Sided / Non-Illuminated

**(A) Panel:**  
3" deep fabricated aluminum panels, two & or three color painted finish & 3M white reflective vinyl graphics (wayfinding copy). Painted P-1 / P-2 / (P-3 When Ambulance Band is Used)

**(B) Posts:**  
2" x 3" aluminum posts. Painted P-2

**(C) Reveals:**  
1" x 2" aluminum reveals. Painted P-2

**(D) Mounting Plates:**  
Aluminum plate, mounting plates with specified hole pattern welded to post. Painted P-2

**Installation:**  
Sign to have two 12" dia. x 4' deep concrete footings / anchored to footings with large diameter Tapcons.

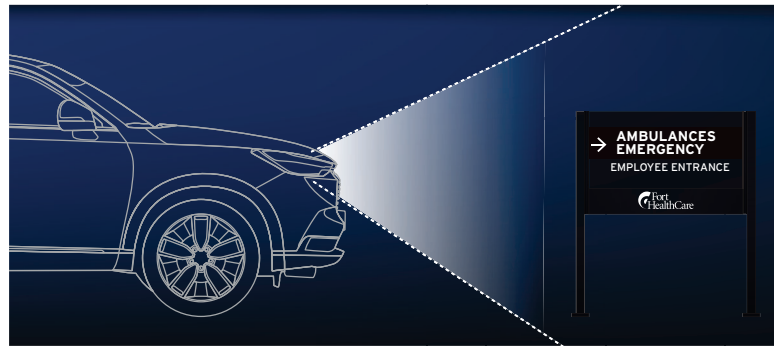
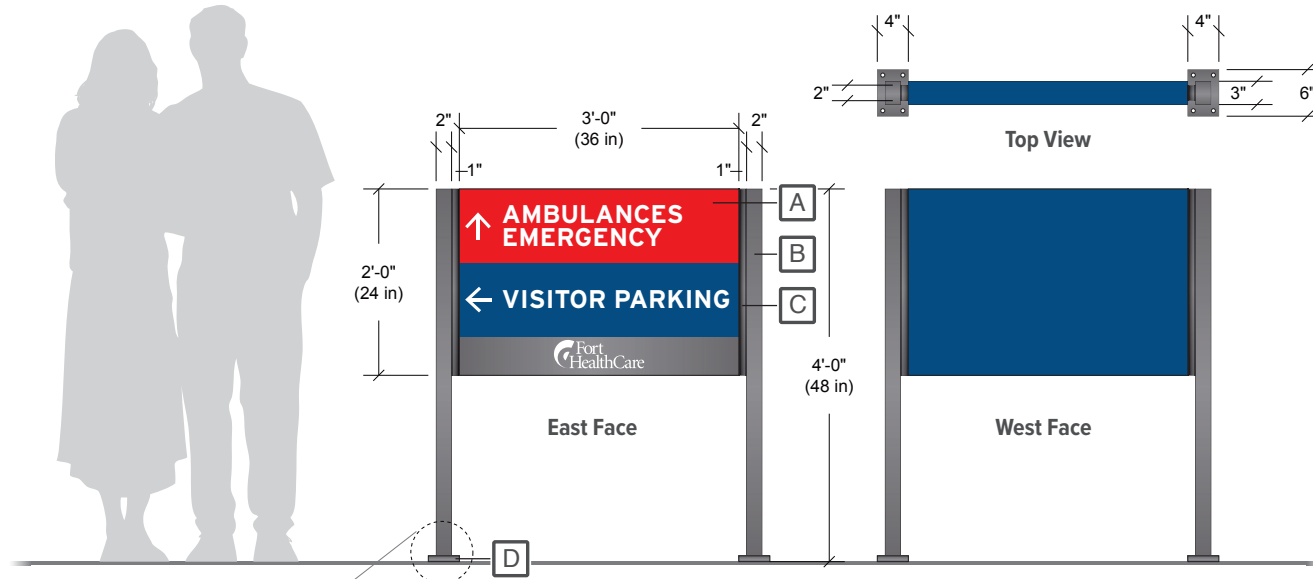
Colors

Paint

- (P-1) Paint to Match 3M European Blue ✓
- (P-2) MP Umbra Grey Metallic (MP 28448) !
- (P-3) Match 3M Red 3630-33 ✓

Vinyl Graphics

- (V-4) White Reflective Vinyl Graphics !



Vinyl Graphics to Be Reflective



4085 North 128th Street  
Brookfield, WI 53005  
p. 262-781-1500  
www.LembergElectric.com

Client: Fort HealthCare - Fort Memorial Hospital / JP Cullen

Location: 611 Sherman Ave

City: Fort Atkinson, WI 53538

Sales Representative: Brian Pritzkow

Project Manager: Reggie Peters

Designer: Eric Bailey

Scale: 3/4"=1'

Paper Size: 11x17

Signature / Date:

Client / Location or Project / Sign Classification / Version# or Sheet / Revision# / Drawing Status  
FortHealthCareFMH\_PP(S07)\_v01\_r00\_D

Date:  
6-23-23

These designs are the exclusive property of Lemberg Electric Inc. Use or duplication without expressed written permission of Lemberg Electric Inc. is prohibited. Drawings are for conceptual use only. The document represents an approximation of materials & colors. Actual product colors may vary.

Fort HealthCare - Fort Memorial Hospital - South Lot Exterior Signage / JP Cullen

CONCEPTUAL DRAWING

#S8 Post & Panel Sign - SF

One (1) Post and Panel Sign / 5 Sq'

Single Sided / Non-Illuminated

**(A) Panel:**  
3" deep fabricated aluminum panels, two & or three color painted finish & 3M white reflective vinyl graphics (wayfinding copy). Painted P-1 / P-2 / (P-3 When Ambulance Band is Used)

**(B) Posts:**  
2" x 3" aluminum posts. Painted P-2

**(C) Reveals:**  
1" x 2" aluminum reveals. Painted P-2

**(D) Mounting Plates:**  
Aluminum plate, mounting plates with specified hole pattern welded to post. Painted P-2

**Installation:**  
Sign to have two 12" dia. x 4' deep concrete footings / anchored to footings with large diameter Tapcons.

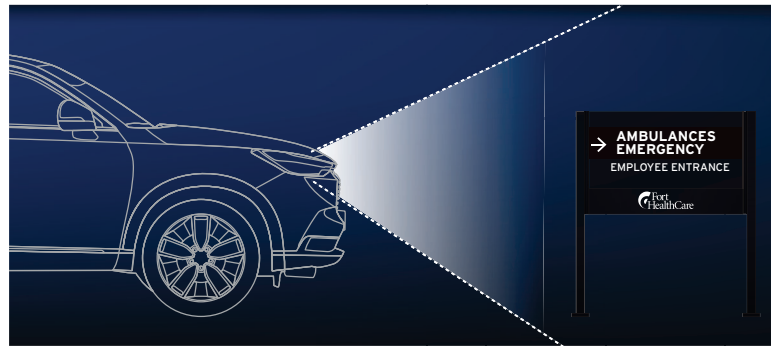
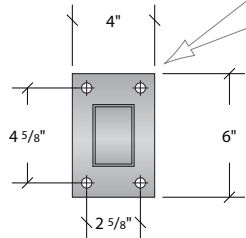
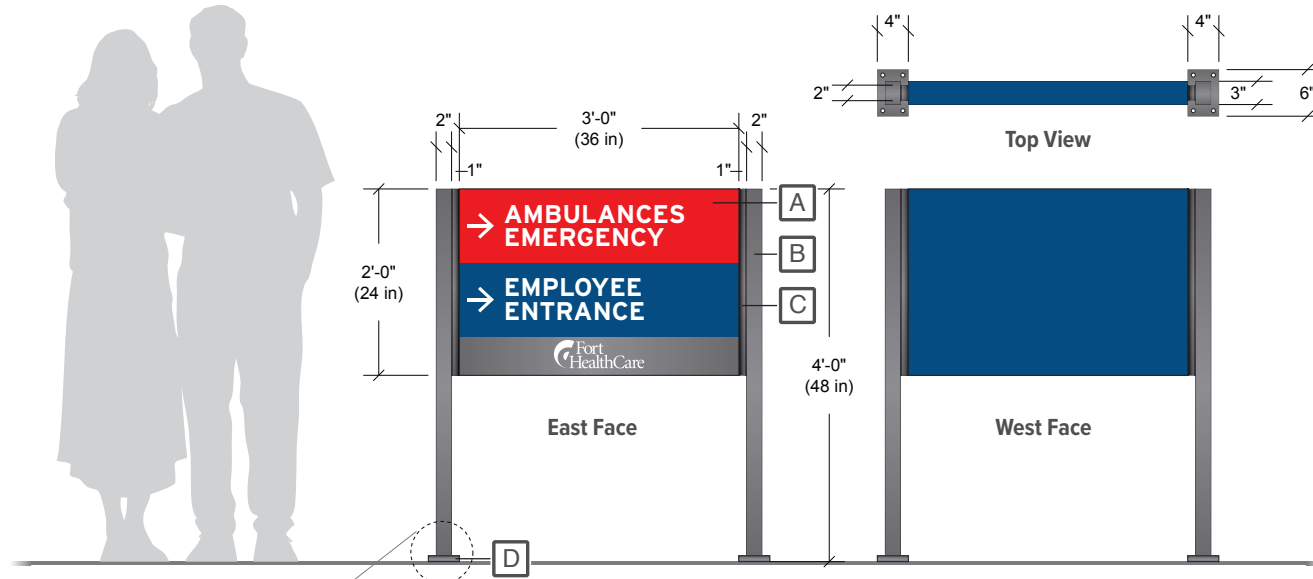
Colors

Paint

- (P-1) Paint to Match 3M European Blue ✓
- (P-2) MP Umbra Grey Metallic (MP 28448) !
- (P-3) Match 3M Red 3630-33 ✓

Vinyl Graphics

- (V-4) White Reflective Vinyl Graphics !



4085 North 128th Street  
Brookfield, WI 53005  
p. 262-781-1500  
www.LembergElectric.com

Client: Fort HealthCare - Fort Memorial Hospital / JP Cullen

Location: 611 Sherman Ave

City: Fort Atkinson, WI 53538

Sales Representative: Brian Pritzkow

Project Manager: Reggie Peters

Designer: Eric Bailey

Scale: 3/4"=1'

Paper Size: 11x17

Signature / Date:

Client / Location or Project / Sign Classification / Version# or Sheet / Revision# / Drawing Status  
FortHealthCareFMH\_PP(S08)\_v01\_r00\_D

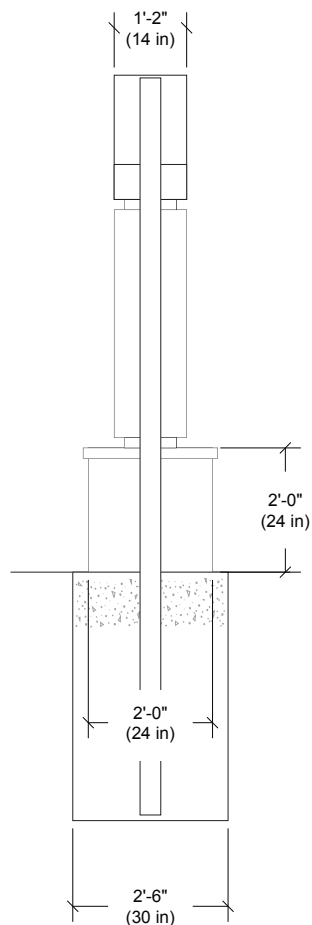
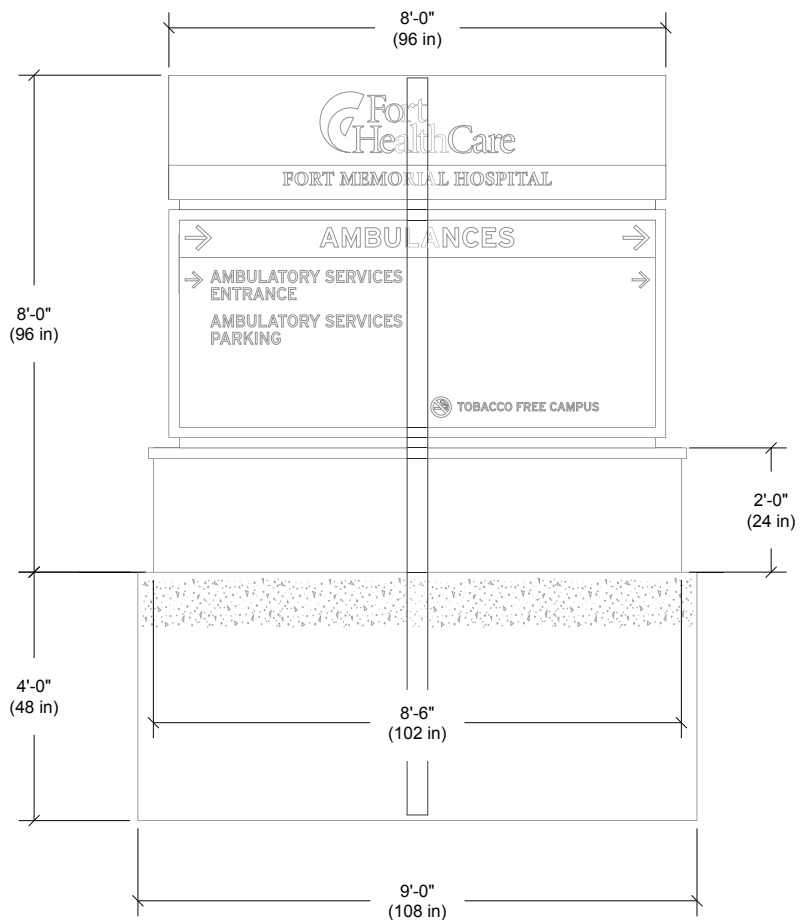
Date:  
6-23-23

These designs are the exclusive property of Lemberg Electric Inc. Use or duplication without expressed written permission of Lemberg Electric Inc. is prohibited. Drawings are for conceptual use only. The document represents an approximation of materials & colors. Actual product colors may vary.

**Monument Footings & Center Posts:**

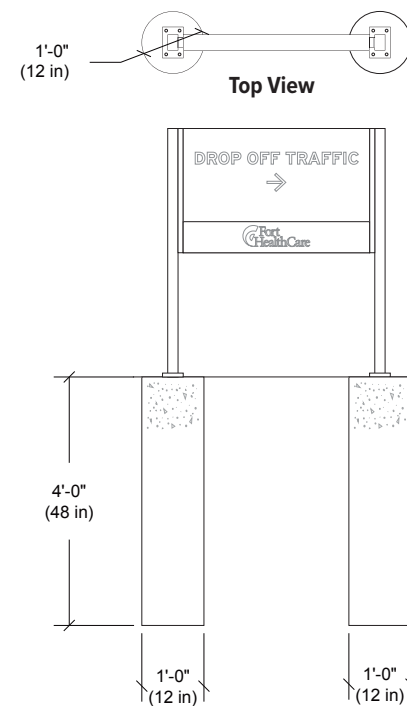
**Footings & Base**

Lemberg to coordinated setting 4" x 4" a 14' sq steel center post (Lemberg to field cut to correct height at install) with footing contractor. Sign to Saddle Mount Center Pole.



**Post & Panel Footings & Installation:**

Sign to have two 12" dia. x 4' deep concrete footings / anchored to footings with large diameter Tapcons.



4085 North 128th Street  
Brookfield, WI 53005  
p. 262-781-1500  
www.LembergElectric.com

Client: Fort HealthCare - Fort Memorial Hospital / JP Cullen

Location: 611 Sherman Ave

City: Fort Atkinson, WI 53538

Sales Representative: Brian Pritzkow

Project Manager: Reggie Peters

Designer: Eric Bailey

Scale: 1/2"=1'

Paper Size: 11x17

Signature / Date:

Client / Location or Project / Sign Classification / Version# or Sheet / Revision# / Drawing Status  
FortHealthCareFMH\_FD\_v02\_r00\_D

Date:  
6-23-23

These designs are the exclusive property of Lemberg Electric Inc. Use or duplication without expressed written permission of Lemberg Electric Inc. Is prohibited. Drawings are for conceptual use only. The document represents an approximation of materials & colors. Actual product colors may vary.

Color Specifications

Colors

Paint

- (P-1) Paint to Match 3M European Blue-✓
- (P-2) MP Umbra Grey Metallic (MP 28448) !
- (P-3) Match 3M Red 3630-33-✓

Vinyl Graphics

- (V-1) 3M European Blue (3630-137)-✓
- (V-2) 3M Red 3630-33-✓
- (V-3) 3M Medium Gray (7725-31)-✓
- (V-4) White Reflective Vinyl Graphics !

Specialized Products

- (S-1) White Polycarbonate-✓



4085 North 128th Street  
 Brookfield, WI 53005  
 p. 262-781-1500  
 www.LembergElectric.com

Client: Fort HealthCare - Fort Memorial Hospital / JP Cullen  
 Location: 611 Sherman Ave  
 City: Fort Atkinson, WI 53538

Sales Representative: Brian Pritzkow  
 Project Manager: Reggie Peters  
 Designer: Eric Bailey

Scale: 1/2"=1'  
 Paper Size: 11x17  
 Signature / Date:

Client / Location or Project / Sign Classification / Version# or Sheet / Revision# / Drawing Status Date:  
 FortHealthCareFMH\_CS\_v03\_r00\_D 6-26-23

These designs are the exclusive property of Lemberg Electric Inc. Use or duplication without expressed written permission of Lemberg Electric Inc. is prohibited. Drawings are for conceptual use only. The document represents an approximation of materials & colors. Actual product colors may vary.

# Fort HealthCare - Fort Memorial Hospital - South Lot Exterior Signage / JP Cullen

CONCEPTUAL DRAWING

## #S9 3-Sided Monument Sign

One (1) Three - Sided Monument Sign to Replace Existing / 144 Sq' (48 Sq' per face)

Double Sided / Illuminated

Photocell for Automatic On & Off Lighting Control.

### (A) Header:

14" +/- deep aluminum sign cabinet with routed 1/8" aluminum faces. Internal white LED illumination (standard white). Two color painted finish.

### (B) Directional Cabinet:

14" +/- deep extruded aluminum sign cabinet with 2" aluminum retainers, white polycarbonate faces decorated with 3M translucent vinyl graphics (standard colors). Internal white LED illumination (standard white).

### (C) Cladding:

Fabricated aluminum cladding at three corners.

### (D) Masonry Base:

Masonry to match building

### (E) Footing & Post:

Footing & Base

Sign sits on 2" deep concrete slab with three 24" diameter x 4' deep footings at each corner (tie slab to footings with rebar).

Signs mount directly to concrete slab with large diameter tapcons or drop in anchors.

### Colors

#### Paint

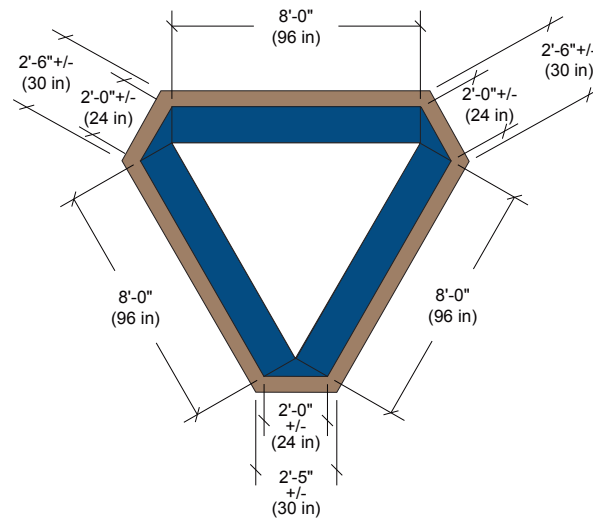
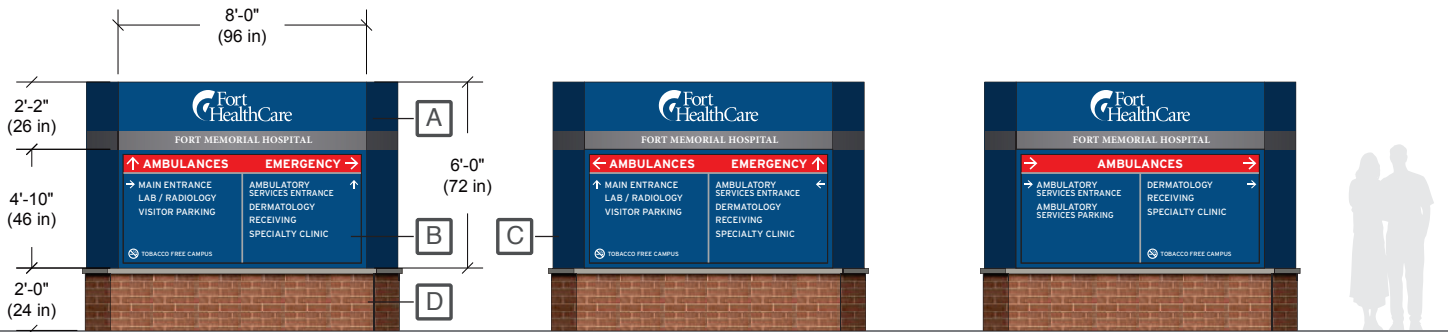
- (P-1) Paint to Match 3M European Blue (3630-137)✓
- (P-2) MP Umbra Grey Metallic (MP 28448) !

#### Vinyl Graphics

- (V-1) 3M European Blue (3630-137)✓
- (V-2) 3M Red (3630-33)✓
- (V-3) 3M Medium Gray (7725-31)✓

#### Specialized Products

- (S-1) White Polycarbonate✓



Top View



4085 North 128th Street  
Brookfield, WI 53005  
p. 262-781-1500  
www.LembergElectric.com

Client: Fort HealthCare - Fort Memorial Hospital / JP Cullen

Location: 611 Sherman Ave

City: Fort Atkinson, WI 53538

Sales Representative: Brian Pritzkow

Project Manager: Reggie Peters

Designer: Eric Bailey

Scale: 1/4"=1'

Paper Size: 11x17

Signature / Date:

Client / Location or Project / Sign Classification / Version# or Sheet / Revision# / Drawing Status  
FortHealthCareFMH\_MON4S(S09)\_v01\_r00\_D

Date:  
6-25-23

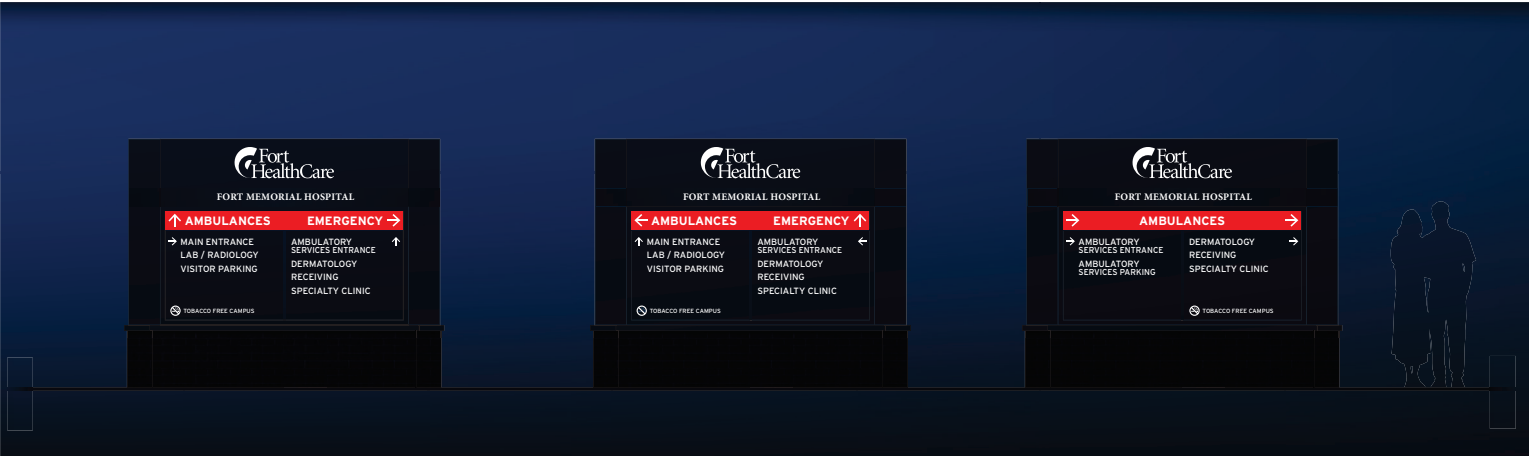
These designs are the exclusive property of Lemberg Electric Inc. Use or duplication without expressed written permission of Lemberg Electric Inc. is prohibited. Drawings are for conceptual use only. The document represents an approximation of materials & colors. Actual product colors may vary.



Fort HealthCare - Fort Memorial Hospital - North Lot Exterior Signage / JP Cullen

CONCEPTUAL DRAWING

#S9 3-Sided Monument Sign Illumination



4085 North 128th Street  
 Brookfield, WI 53005  
 p. 262-781-1500  
 www.LembergElectric.com

Client: Fort HealthCare - Fort Memorial Hospital / JP Cullen

Location: 611 Sherman Ave

City: Fort Atkinson, WI 53538

Sales Representative: Brian Pritzkow

Project Manager: Reggie Peters

Designer: Eric Bailey

Scale: 1/4"=1'

Paper Size: 11x17

Signature / Date:

Client / Location or Project / Sign Classification / Version# or Sheet / Revision# / Drawing Status Date:  
 FortHealthCareFMH\_4S(S09)NR\_v01\_r00\_D 6-26-23

These designs are the exclusive property of Lemberg Electric Inc. Use or duplication without expressed written permission of Lemberg Electric Inc. is prohibited. Drawings are for conceptual use only. The document represents an approximation of materials & colors. Actual product colors may vary.



**Fort HealthCare - Fort Memorial Hospital - South Lot Exterior Signage / JP Cullen**

611 Sherman Ave / Fort Atkinson, WI 53538

Drawing Package Title: Fort Health Care - Fort Memorial Signage 1 (3)

Date: 6-26-23



SIGNIS

4085 North 128th Street  
Brookfield, WI 53005  
p. 262-781-1500  
www.LembergElectric.com

CONCEPTUAL DRAWING



Existing Sign shown above replace with new  
**Sign Type A - Medium Directional Monument: #S1**



-All signs are 18" deep.  
-Side posts are 8" by 4" and 4" by 4".

Project Scope: Existing Signs & Footings to be Removed by GC. Lemberg to Provide New Signage. Lemberg to Coordinate New Footings / Electrical Requirements



Existing Sign shown above replace with new  
**Sign Type B - Large Directional Monument: #S2**



Existing Sign shown above replace with new  
**Sign Type B - Large Directional Monument: #S3**



4085 North 128th Street  
Brookfield, WI 53005  
p. 262-781-1500  
www.LembergElectric.com

Client: Fort HealthCare - Fort Memorial Hospital / JP Cullen

Location: 611 Sherman Ave

City: Fort Atkinson, WI 53538

Sales Representative: Brian Pritzkow

Project Manager: Reggie Peters

Designer: Eric Bailey

Scale: NTS

Paper Size: 11x17

Signature / Date:

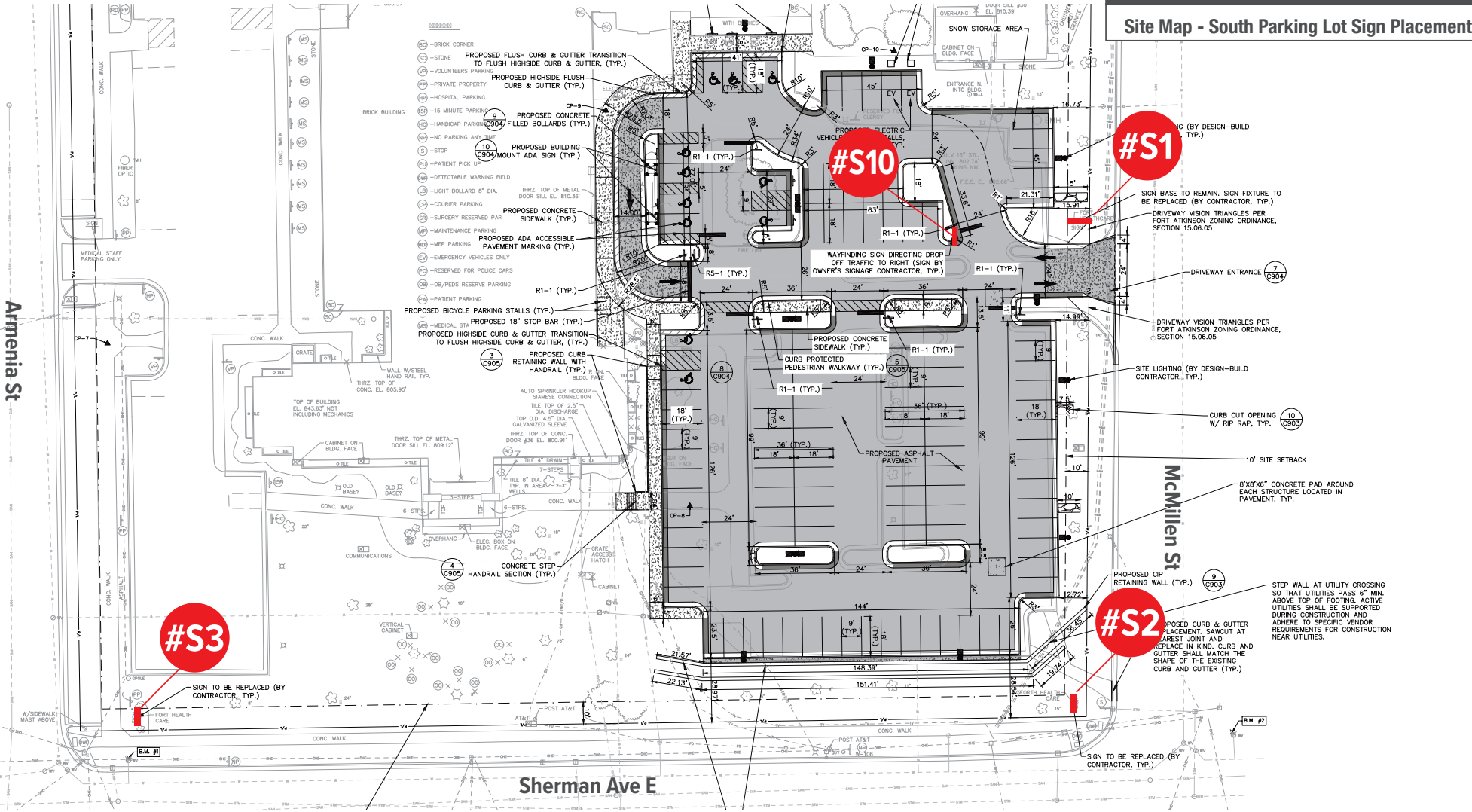
Client / Location or Project / Sign Classification / Version# or Sheet / Revision# / Drawing Status  
FortHealthCareFMH\_SUR\_v01\_r01\_D

Date:  
5-11-23

Fort HealthCare - Fort Memorial Hospital - South Lot Exterior Signage / JP Cullen

CONCEPTUAL DRAWING

Site Map - South Parking Lot Sign Placement



SIGNIS

4085 North 128th Street  
Brookfield, WI 53005  
p. 262-781-1500  
www.LembergElectric.com

Client: Fort HealthCare - Fort Memorial Hospital / JP Cullen

Location: 611 Sherman Ave

City: Fort Atkinson, WI 53538

Sales Representative: Brian Pritzkow

Project Manager: Reggie Peters

Designer: Eric Bailey

Scale: NTS

Paper Size: 11x17

Signature / Date:

Client / Location or Project / Sign Classification / Version# or Sheet / Revision# / Drawing Status  
FortHealthCareFMH\_MAP(S)\_v02\_r00\_D

Date:  
6-23-23

These designs are the exclusive property of Lemberg Electric Inc. Use or duplication without expressed written permission of Lemberg Electric Inc. is prohibited. Drawings are for conceptual use only. The document represents an approximation of materials & colors. Actual product colors may vary.



Fort HealthCare - Fort Memorial Hospital - South Lot Exterior Signage / JP Cullen

CONCEPTUAL DRAWING

#S1 Monument Sign - DF

One (1) Monument Sign to Replace Existing / 96 Sq' (48 Sq' per face)

Double Sided / Illuminated

Photocell for Automatic On & Off Lighting Control.

(A) Header:

14" +/- deep extruded aluminum sign cabinet with routed 1/8" aluminum faces. Internal white LED illumination (standard white). Two color painted finish.

(B) Reveals:

Fabricated aluminum reveals 2" height.

(C) Directional Cabinet:

14" +/- deep extruded aluminum sign cabinet with 2" aluminum retainers, white polycarbonate faces decorated with 3M translucent vinyl graphics (standard colors). Internal white LED illumination (standard white).

(D) Masonry Base:

Masonry to match building

(E) Footing & Post:

Footing & Base  
Lemberg to coordinated setting 4" x 4" sq steel center post with footing contractor.

Sign to Saddle Mount Center Pole.

Colors

Paint

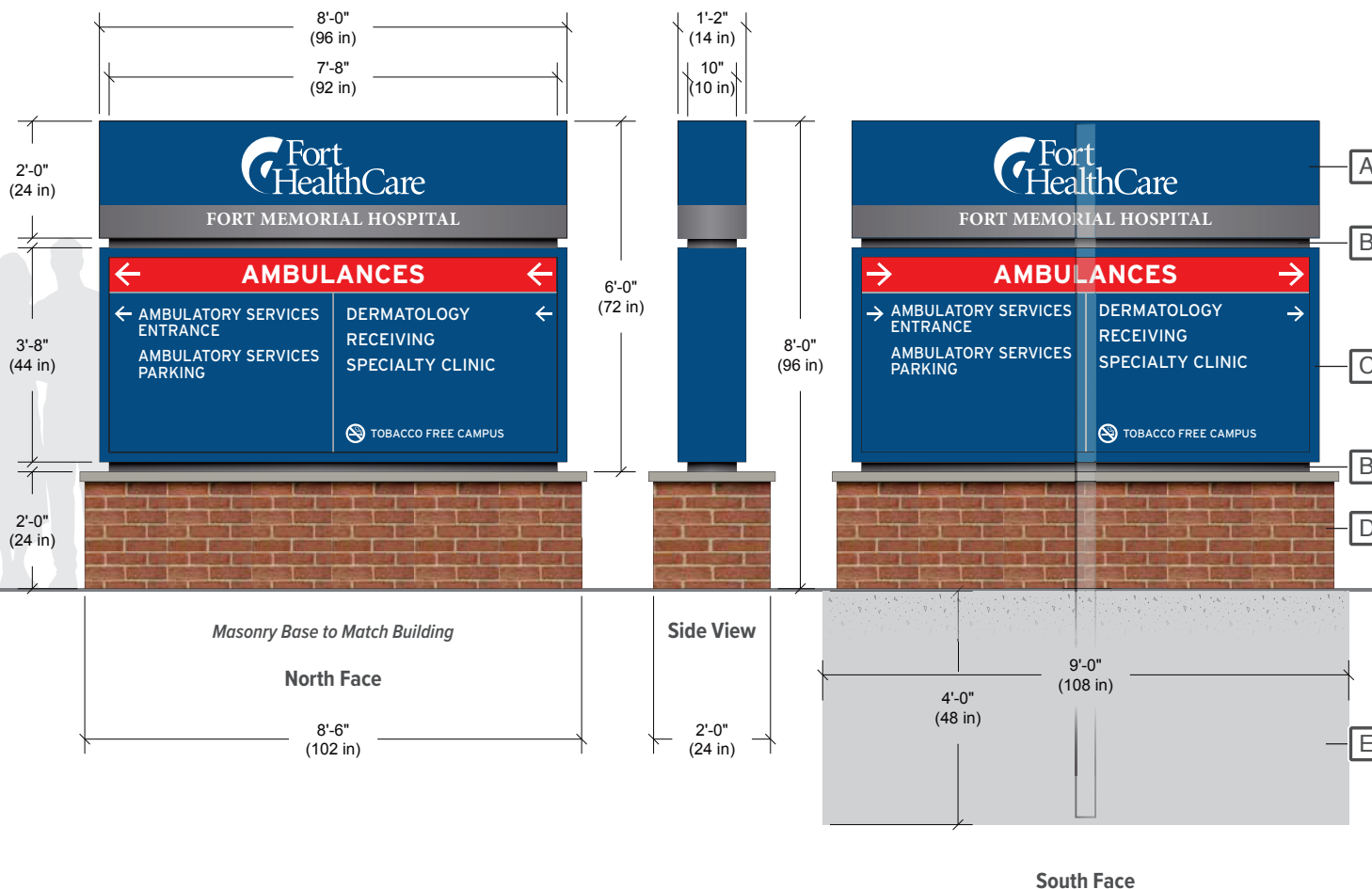
- (P-1) Paint to Match 3M European Blue (3630-137)✓
- (P-2) MP Umbra Grey Metallic (MP 28448) !

Vinyl Graphics

- (V-1) 3M European Blue (3630-137)✓
- (V-2) 3M Red (3630-33)✓
- (V-3) 3M Medium Gray (7725-31)✓

Specialized Products

- (S-1) White Polycarbonate✓



4085 North 128th Street  
Brookfield, WI 53005  
p. 262-781-1500  
www.LembergElectric.com

Client: Fort HealthCare - Fort Memorial Hospital / JP Cullen

Location: 611 Sherman Ave

City: Fort Atkinson, WI 53538

Sales Representative: Brian Pritzkow

Project Manager: Reggie Peters

Designer: Eric Bailey

Scale: 1/2"=1'

Paper Size: 11x17

Signature / Date:

Client / Location or Project / Sign Classification / Version# or Sheet / Revision# / Drawing Status  
FortHealthCareFMH\_MON(S01)\_v01\_r00\_D

Date:  
6-23-23

These designs are the exclusive property of Lemberg Electric Inc. Use or duplication without expressed written permission of Lemberg Electric Inc. is prohibited. Drawings are for conceptual use only. The document represents an approximation of materials & colors. Actual product colors may vary.



Fort HealthCare - Fort Memorial Hospital - South Lot Exterior Signage / JP Cullen

CONCEPTUAL DRAWING

#S2 Monument Sign - DF

One (1) Monument Sign to Replace Existing / 96 Sq' (48 Sq' per face)

Double Sided / Illuminated

Photocell for Automatic On & Off Lighting Control.

(A) Header:

14" +/- deep extruded aluminum sign cabinet with routed 1/8" aluminum faces. Internal white LED illumination (standard white). Two color painted finish.

(B) Reveals:

Fabricated aluminum reveals 2" height.

(C) Directional Cabinet:

14" +/- deep extruded aluminum sign cabinet with 2" aluminum retainers, white polycarbonate faces decorated with 3M translucent vinyl graphics (standard colors). Internal white LED illumination (standard white).

(D) Masonry Base:

Masonry to match building

(E) Footing & Post:

Footing & Base  
Lemberg to coordinated setting 4" x 4" sq steel center post with footing contractor.

Sign to Saddle Mount Center Pole.

Colors

Paint

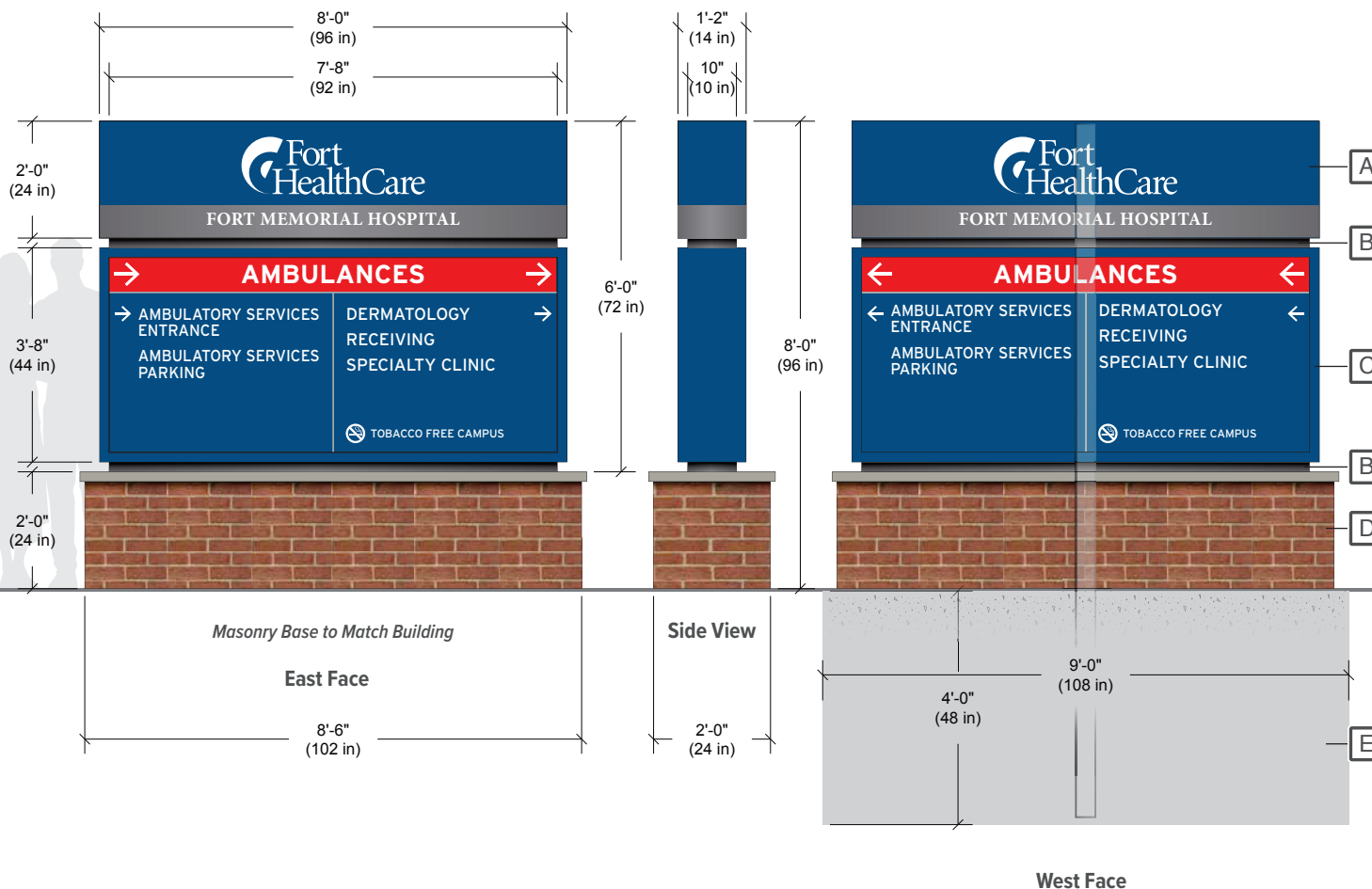
- (P-1) Paint to Match 3M European Blue (3630-137)✓
- (P-2) MP Umbra Grey Metallic (MP 28448) !

Vinyl Graphics

- (V-1) 3M European Blue (3630-137)✓
- (V-2) 3M Red (3630-33)✓
- (V-3) 3M Medium Gray (7725-31)✓

Specialized Products

- (S-1) White Polycarbonate✓



4085 North 128th Street  
Brookfield, WI 53005  
p. 262-781-1500  
www.LembergElectric.com

Client: Fort HealthCare - Fort Memorial Hospital / JP Cullen

Location: 611 Sherman Ave

City: Fort Atkinson, WI 53538

Sales Representative: Brian Pritzkow

Project Manager: Reggie Peters

Designer: Eric Bailey

Scale: 1/2"=1'

Paper Size: 11x17

Signature / Date:

Client / Location or Project / Sign Classification / Version# or Sheet / Revision# / Drawing Status Date:  
FortHealthCareFMH\_MON(S02)\_v01\_r00\_D 6-25-23

These designs are the exclusive property of Lemberg Electric Inc. Use or duplication without expressed written permission of Lemberg Electric Inc. is prohibited. Drawings are for conceptual use only. The document represents an approximation of materials & colors. Actual product colors may vary.

Fort HealthCare - Fort Memorial Hospital - South Lot Exterior Signage / JP Cullen

CONCEPTUAL DRAWING

#S3 Monument Sign - DF

One (1) Monument Sign to Replace Existing / 96 Sq' (48 Sq' per face)

Double Sided / Illuminated

Photocell for Automatic On & Off Lighting Control.

(A) Header:

14" +/- deep extruded aluminum sign cabinet with routed 1/8" aluminum faces. Internal white LED illumination (standard white). Two color painted finish.

(B) Reveals:

Fabricated aluminum reveals 2" height.

(C) Directional Cabinet:

14" +/- deep extruded aluminum sign cabinet with 2" aluminum retainers, white polycarbonate faces decorated with 3M translucent vinyl graphics (standard colors). Internal white LED illumination (standard white).

(D) Masonry Base:

Masonry to match building

(E) Footing & Post:

Footing & Base  
Lemberg to coordinated setting 4" x 4" sq steel center post with footing contractor.

Sign to Saddle Mount Center Pole.

Colors

Paint

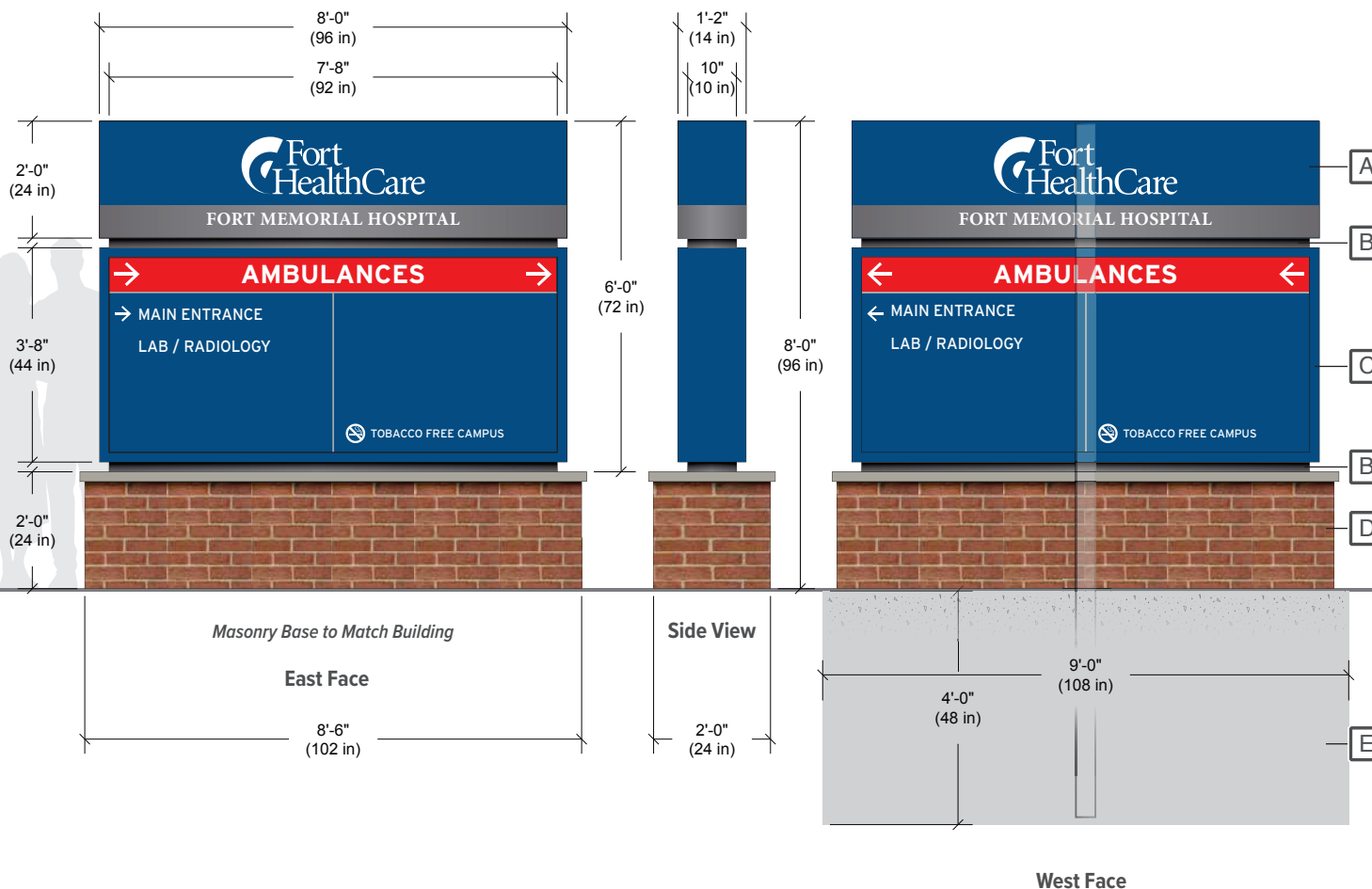
- (P-1) Paint to Match 3M European Blue (3630-137)✓
- (P-2) MP Umbra Grey Metallic (MP 28448) !

Vinyl Graphics

- (V-1) 3M European Blue (3630-137)✓
- (V-2) 3M Red (3630-33)✓
- (V-3) 3M Medium Gray (7725-31)✓

Specialized Products

- (S-1) White Polycarbonate✓



4085 North 128th Street  
Brookfield, WI 53005  
p. 262-781-1500  
www.LembergElectric.com

Client: Fort HealthCare - Fort Memorial Hospital / JP Cullen

Location: 611 Sherman Ave

City: Fort Atkinson, WI 53538

Sales Representative: Brian Pritzkow

Project Manager: Reggie Peters

Designer: Eric Bailey

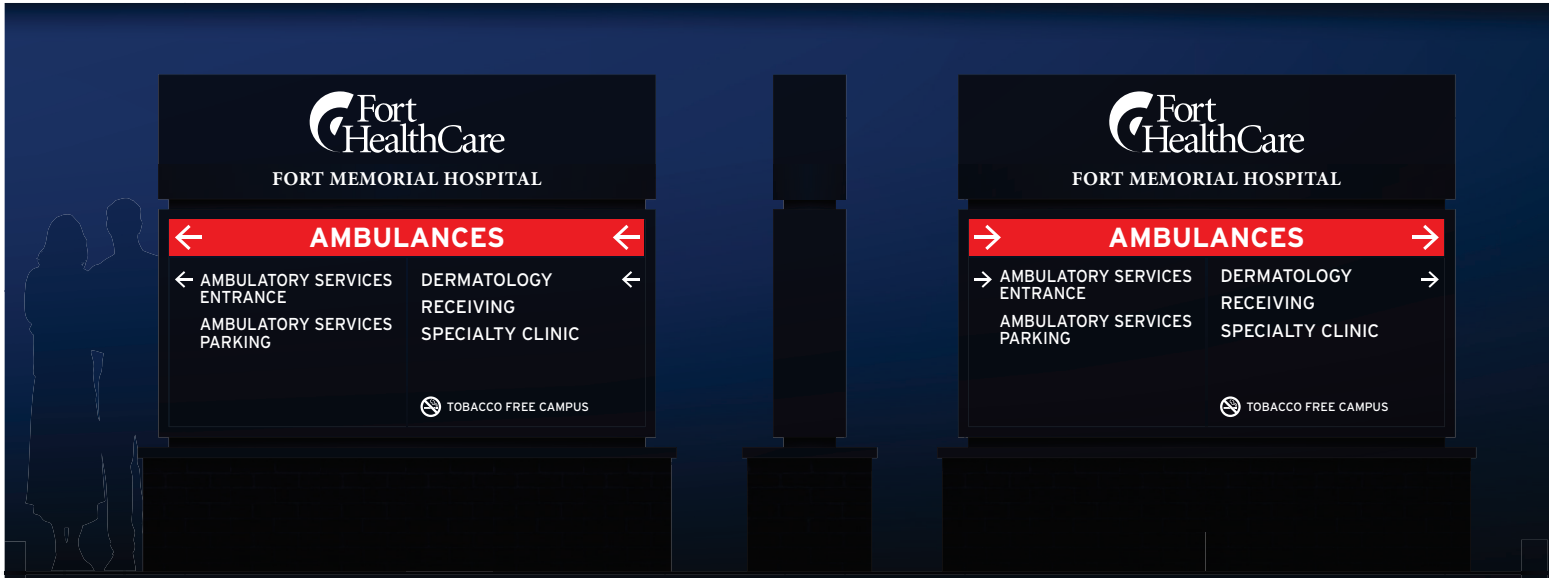
Scale: 1/2"=1'

Paper Size: 11x17

Signature / Date:

Client / Location or Project / Sign Classification / Version# / Sheet / Revision# / Drawing Status Date:  
FortHealthCareFMH\_MON(S03)\_v01\_r00\_D 6-25-23

These designs are the exclusive property of Lemberg Electric Inc. Use or duplication without expressed written permission of Lemberg Electric Inc. is prohibited. Drawings are for conceptual use only. The document represents an approximation of materials & colors. Actual product colors may vary.



Illumination



4085 North 128th Street  
Brookfield, WI 53005  
p. 262-781-1500  
www.LembergElectric.com

Client: Fort HealthCare - Fort Memorial Hospital / JP Cullen

Location: 611 Sherman Ave

City: Fort Atkinson, WI 53538

Sales Representative: Brian Pritzkow

Project Manager: Reggie Peters

Designer: Eric Bailey

Scale: 1/2"=1'

Paper Size: 11x17

Signature / Date:

Client / Location or Project / Sign Classification / Version# or Sheet / Revision# / Drawing Status Date:  
FortHealthCareFMH\_MON(S01)NR\_v01\_r00\_D 6-23-23

These designs are the exclusive property of Lemberg Electric Inc. Use or duplication without expressed written permission of Lemberg Electric Inc. is prohibited. Drawings are for conceptual use only. The document represents an approximation of materials & colors. Actual product colors may vary.

Fort HealthCare - Fort Memorial Hospital - South Lot Exterior Signage / JP Cullen

CONCEPTUAL DRAWING

#S10 Post & Panel Sign - SF

One (1) Post and Panel Sign / 5 Sq'

Single Sided / Non-Illuminated

**(A) Panel:**  
3" deep fabricated aluminum panels, two & or three color painted finish & 3M white reflective vinyl graphics (wayfinding copy). Painted P-1 / P-2 / (P-3 When Ambulance Band is Used)

**(B) Posts:**  
2" x 3" aluminum posts. Painted P-2

**(C) Reveals:**  
1" x 2" aluminum reveals. Painted P-2

**(D) Mounting Plates:**  
Aluminum plate, mounting plates with specified hole pattern welded to post. Painted P-2

**Installation:**  
Sign to have two 12" dia. x 4' deep concrete footings / anchored to footings with large diameter Tapcons.

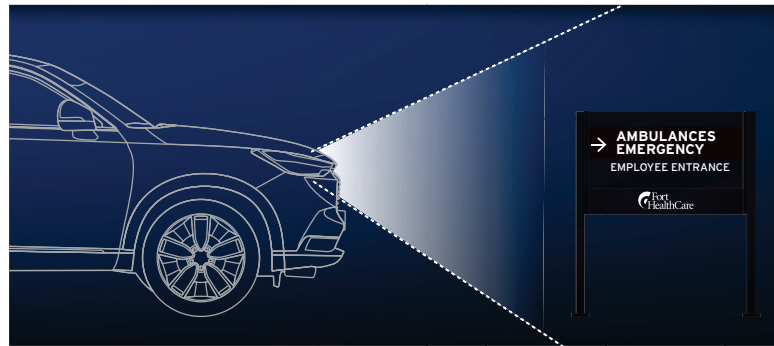
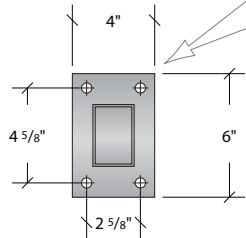
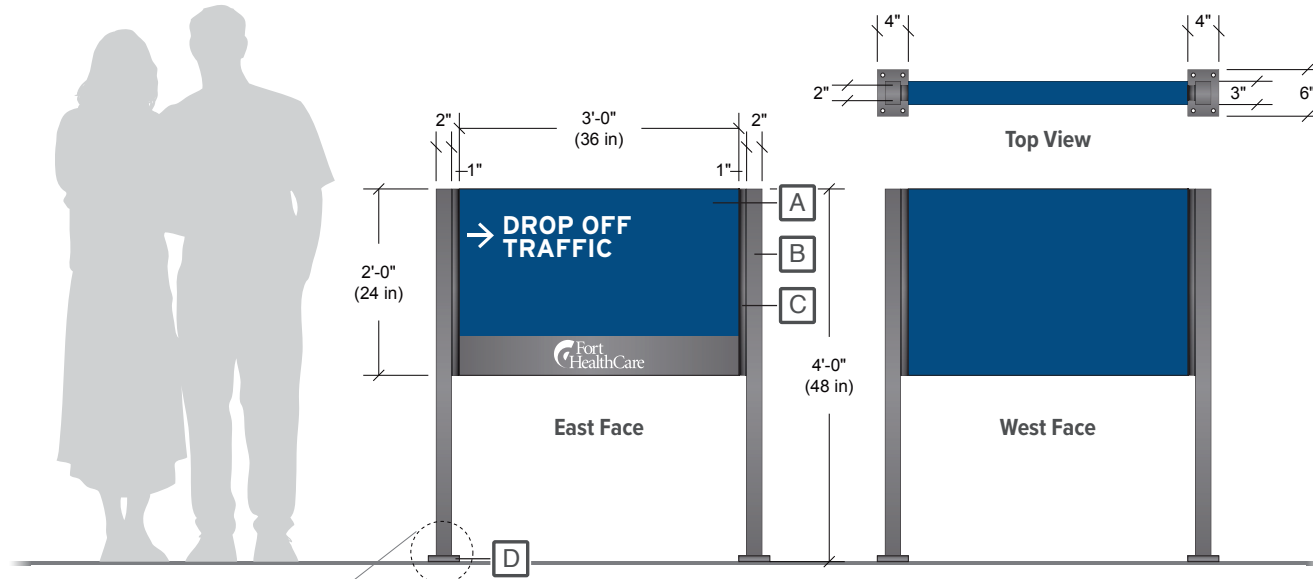
Colors

Paint

- (P-1) Paint to Match 3M European Blue ✓
- (P-2) MP Umbra Grey Metallic (MP 28448) !
- (P-3) Match 3M Red 3630-33 ✓

Vinyl Graphics

- (V-4) White Reflective Vinyl Graphics !



Vinyl Graphics to Be Reflective



4085 North 128th Street  
Brookfield, WI 53005  
p. 262-781-1500  
www.LembergElectric.com

Client: Fort HealthCare - Fort Memorial Hospital / JP Cullen

Location: 611 Sherman Ave

City: Fort Atkinson, WI 53538

Sales Representative: Brian Pritzkow

Project Manager: Reggie Peters

Designer: Eric Bailey

Scale: 3/4"=1'

Paper Size: 11x17

Signature / Date:

Client / Location or Project / Sign Classification / Version# or Sheet / Revision# / Drawing Status  
FortHealthCareFMH\_PP(S10)\_v01\_r00\_D

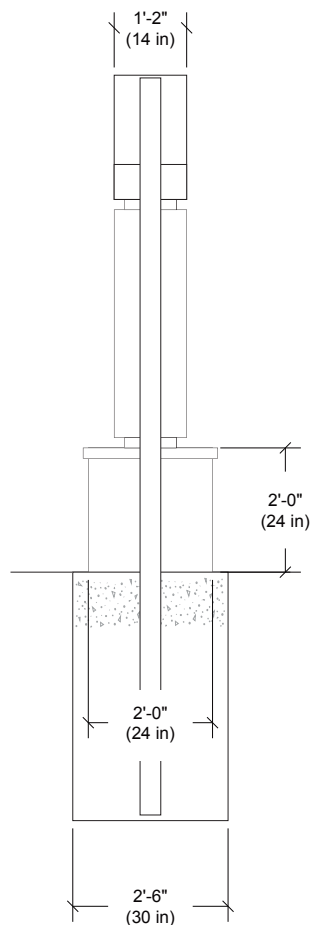
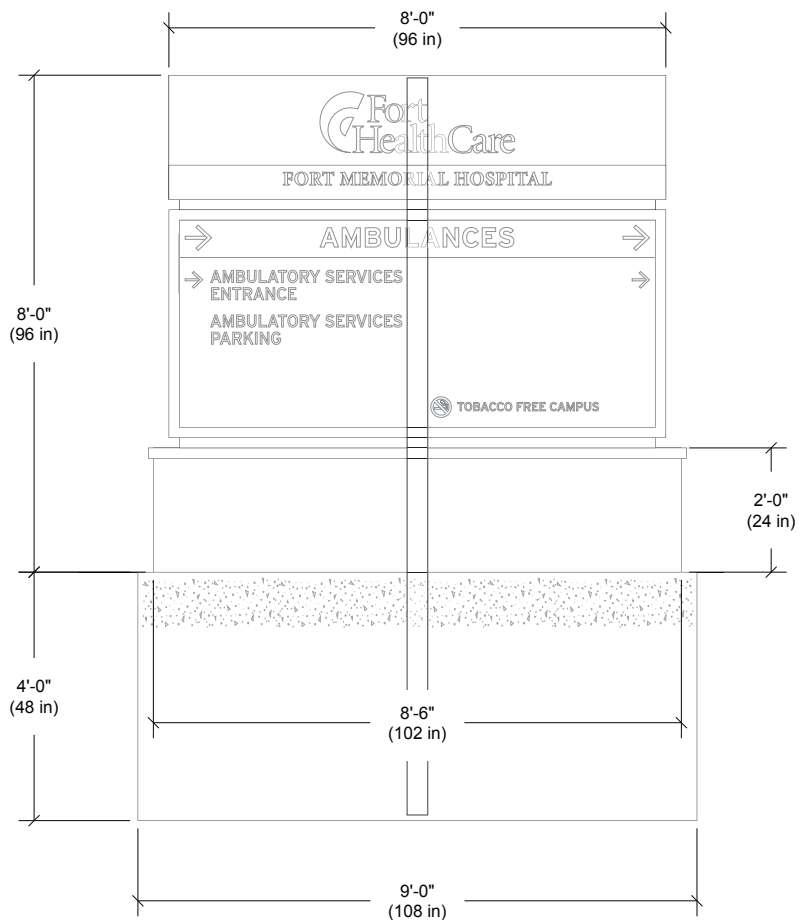
Date:  
6-23-23

These designs are the exclusive property of Lemberg Electric Inc. Use or duplication without expressed written permission of Lemberg Electric Inc. is prohibited. Drawings are for conceptual use only. The document represents an approximation of materials & colors. Actual product colors may vary.

**Monument Footings & Center Posts:**

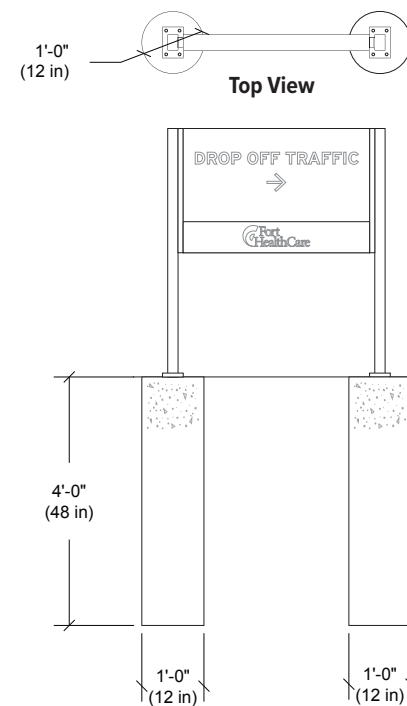
Footings & Base BY OTHER.

Lemberg to coordinated setting 4" x 4" a 14' sq steel center post (Lemberg to field cut to correct height at install) with footing contractor. Sign to Saddle Mount Center Pole.



**Post & Panel Footings & Installation:**

Sign to have two 12" dia. x 4' deep concrete footings / anchored to footings with large diameter Tapcons. Footings BY OTHER.



4085 North 128th Street  
Brookfield, WI 53005  
p. 262-781-1500  
www.LembergElectric.com

Client: Fort HealthCare - Fort Memorial Hospital / JP Cullen

Location: 611 Sherman Ave

City: Fort Atkinson, WI 53538

Sales Representative: Brian Pritzkow

Project Manager: Reggie Peters

Designer: Eric Bailey

Scale: 1/2"=1'

Paper Size: 11x17

Signature / Date:

Client / Location or Project / Sign Classification / Version# or Sheet / Revision# / Drawing Status  
FortHealthCareFMH\_FD\_v02\_r00\_D

Date:  
6-23-23

These designs are the exclusive property of Lemberg Electric Inc. Use or duplication without expressed written permission of Lemberg Electric Inc. Is prohibited. Drawings are for conceptual use only. The document represents an approximation of materials & colors. Actual product colors may vary.



Color Specifications

Colors

Paint

- (P-1) Paint to Match 3M European Blue-✓
- (P-2) MP Umbra Grey Metallic (MP 28448) !
- (P-3) Match 3M Red 3630-33-✓

Vinyl Graphics

- (V-1) 3M European Blue (3630-137)-✓
- (V-2) 3M Red 3630-33-✓
- (V-3) 3M Medium Gray (7725-31)-✓
- (V-4) White Reflective Vinyl Graphics !

Specialized Products

- (S-1) White Polycarbonate-✓



4085 North 128th Street  
 Brookfield, WI 53005  
 p. 262-781-1500  
 www.LembergElectric.com

Client: Fort HealthCare - Fort Memorial Hospital / JP Cullen

Location: 611 Sherman Ave

City: Fort Atkinson, WI 53538

Sales Representative: Brian Pritzkow

Project Manager: Reggie Peters

Designer: Eric Bailey

Scale: 1/2"=1'

Paper Size: 11x17

Signature / Date:

Client / Location or Project / Sign Classification / Version# or Sheet / Revision# / Drawing Status Date:  
 FortHealthCareFMH\_CS\_v03\_r00\_D 6-26-23

These designs are the exclusive property of Lemberg Electric Inc. Use or duplication without expressed written permission of Lemberg Electric Inc. is prohibited. Drawings are for conceptual use only. The document represents an approximation of materials & colors. Actual product colors may vary.